


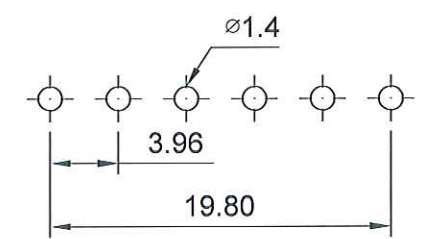
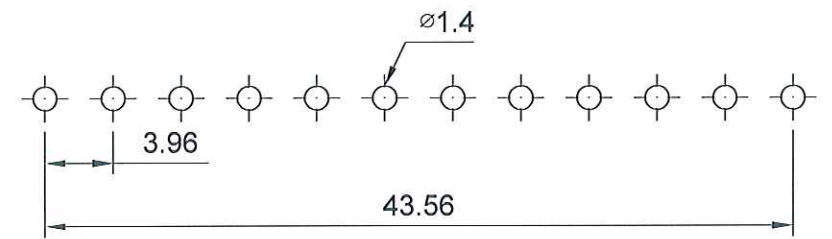
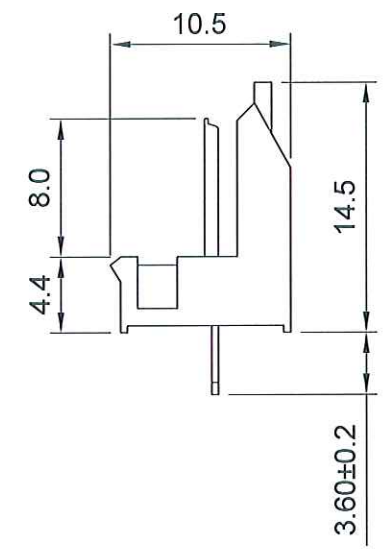
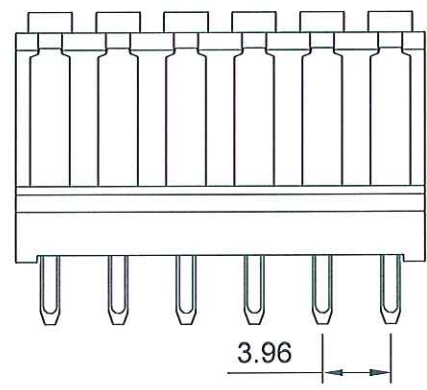
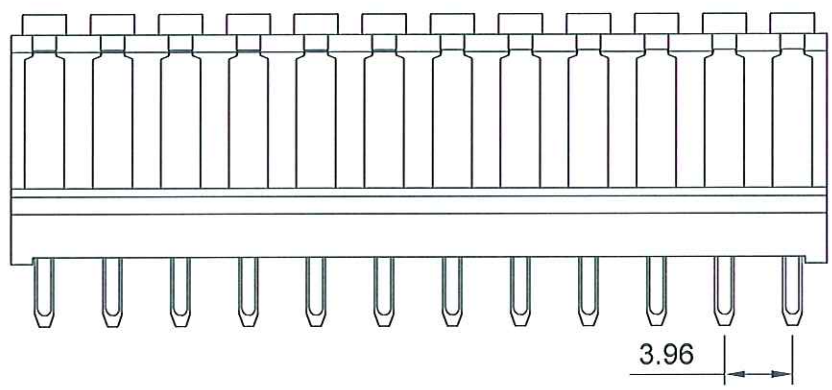
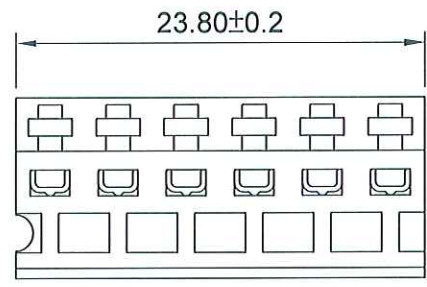
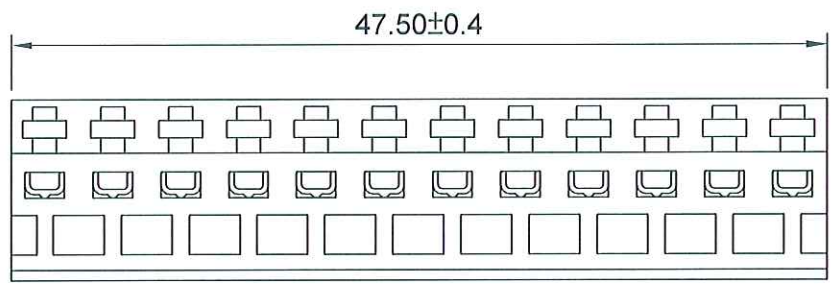


REV.	DESCRIPTION	DATE	APPR.
02	新增12Pin	2010/03/31	陳世官

396D-WS-12T-N 

396D-WS-06T-N


Specifications  
 Current Rating : 7A AC, DC  
 Voltage Rating : 250V AC, DC  
 Temperature Range : -25°C ~ +105°C  
 Insulator Resistance : 1000 MΩ min.  
 Withstanding Voltage : 1500V AC / minute  
 Contact Material : Brass, 60μ" Tin plated  
 Insulator Material : Nylon 66 UL 94V-2 (white)



Recommended P.C.B Layout

Recommended P.C.B Layout

**JAWS** 兆旭股份有限公司  
 JAWS CO., LTD.  
 7F-1, NO.31, Lane 169, Kang Ning Street,  
 Hsichih, Taipei Hsien, Taiwan.  
 TEL: 886-2-2692-2898  
 FAX: 886-2-2692-2618  
 Http://www.jaws.com.tw

 THIRD ANGLE PROJECTION		DESIGN UNITS ■ mm □ INCH
SIZE: A4	SCALE: FREE	SHEET: 1/1
CPN NO.:		DWG NO.:
DAN NO.: S9903-055		JAWS-SOP-396D001

TITLE: 3.96mm Power Wafer	GENERAL TOLERANCES:
PARTS NO.: 396D-WS-xxT-N	X. ±0.50
DWG NO.:	X.X ±0.25
JAWS-SOP-396D001	X.XX ±0.20
REV. 02	X.XXX ±0.08

DRAWN	游熾瑩	DATE	2010/03/31
CHECKED		DATE	2010/03/31
APPROVED		DATE	2010/03/31